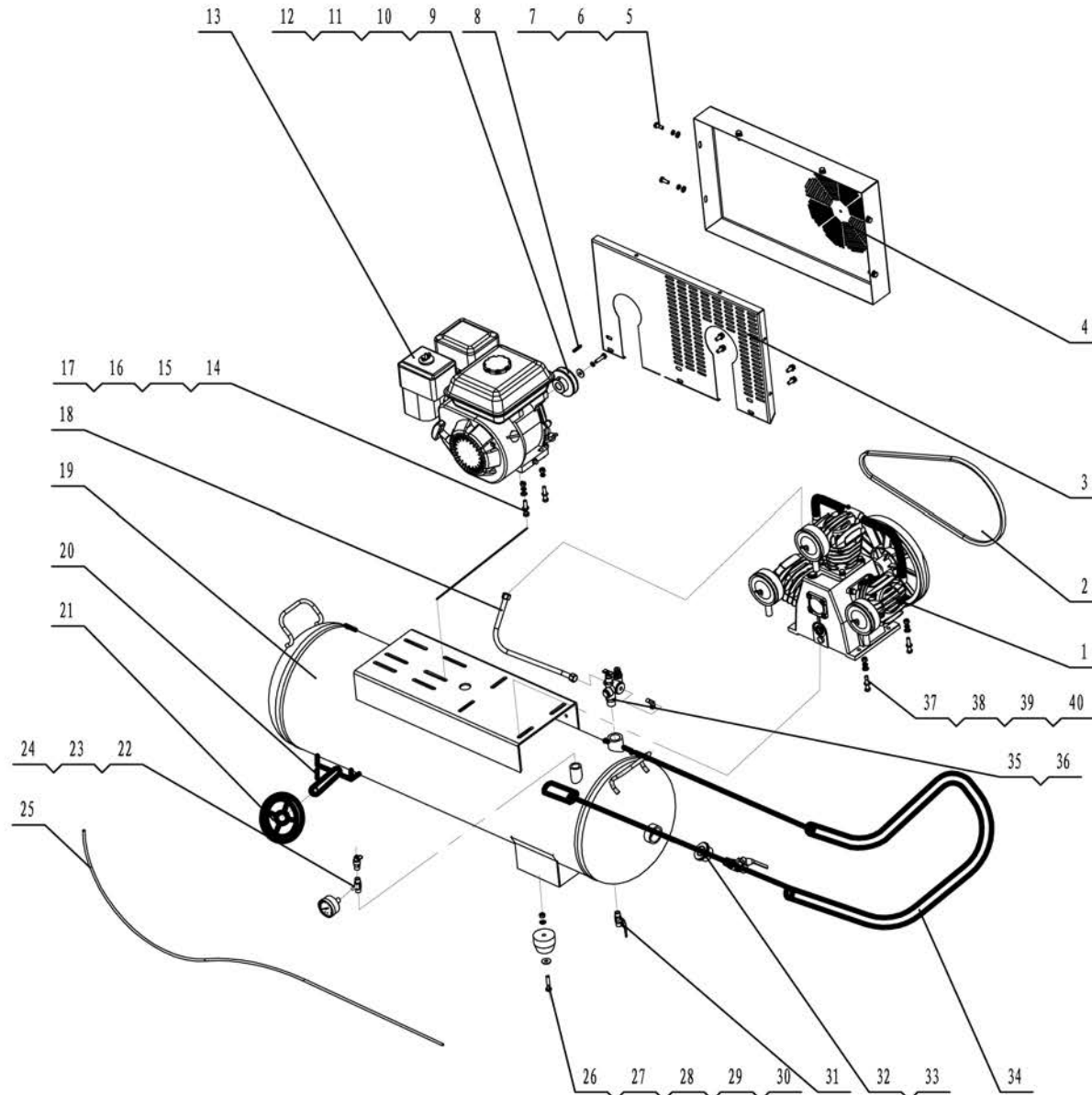


Model	WP20/70
Dimensions (cm) L x W x H	94 x 32 x 76 cm



Number	Part Name	Qty.
1	Compressor Pump	1
2	Belt	1
3	Inner Belt Guard	1
4	Outer Belt Guard	1
5	Washer	12
6	Spring Washer	12
7	Screws	12
8	Key	1
9	Screws	1
10	Retainer Ring	1
11	Pulley Bush	1
12	Pulley	1
13	Petrol Engine	1
14	Screws	4
15	Washer	8
16	Spring Washer	4
17	Nuts	4
18	Discharge Pipe	1
19	Air Receiver	1
20	Split Pin	2
21	Pneumatic Wheels	2
22	Safety Valve	1
23	Tee	1
24	Pressure Guage	1
25	Nylon Tube	1
26	Screws	2
27	Washer	2
28	Rubber Feet	2
29	Spring Washer	2
30	Nuts	2
31	Ball Valve	1
32	Bush	1
33	Ball Valve	1
34	Handle	1
35	Load Genie	1
36	Elbow	1
37	Screws	4
38	Washer	8
39	Spring Washer	4
40	Nuts	4